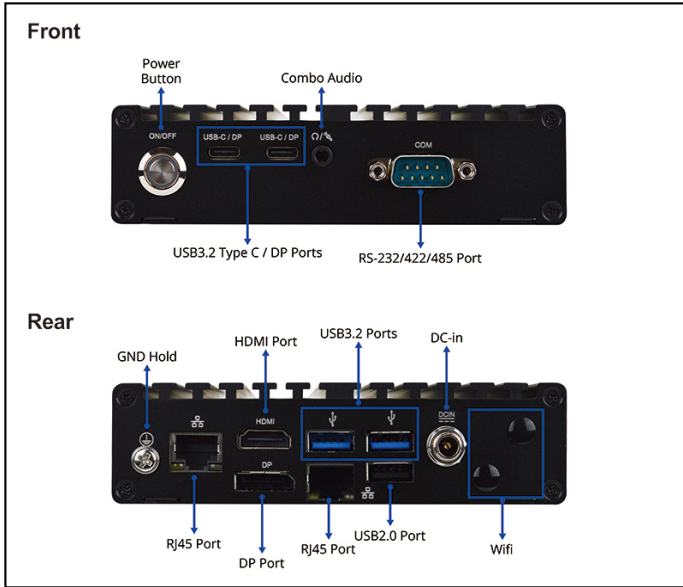


B420UADN1



Compact

Fanless Compact Box PC with Intel® N-series SoC Processors



Features

- Powered by Intel® N97 SoC Processors (formerly Alder Lake)
- High-Performance Memory: Supports DDR5 SO-DIMM
- 4K Display: Supports DP Alt Mode
- Storage and Expansion: 1 x M.2 M-Key, and 1 x M.2 E-Key
- Enhanced Security: Intel® PTT with TPM 2.0 (Optional dTPM)
- Dual 2.5GbE Ports for Reliable and High-Speed Networking Connections

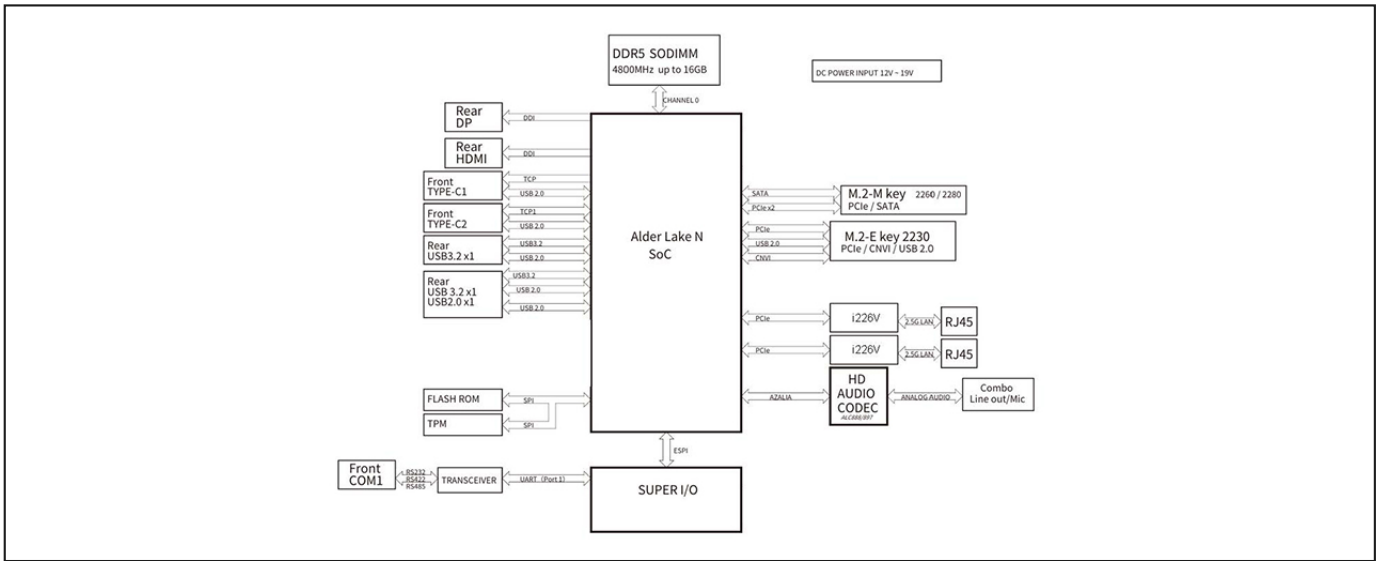
Packing List

PART NUMBER	DESCRIPTION	QTY
B420UADN1	B420UADN1 Barebone	1
HCS310MWM01B-2F	Wall+VESA mount Kit	1
LCSCHBJC3XX-F	Screw Pack	1
L01AS052-F	Lockable Adapter 12V/5A 60W	1
Change according to shipping area	Power Cord (Region Specific)	1

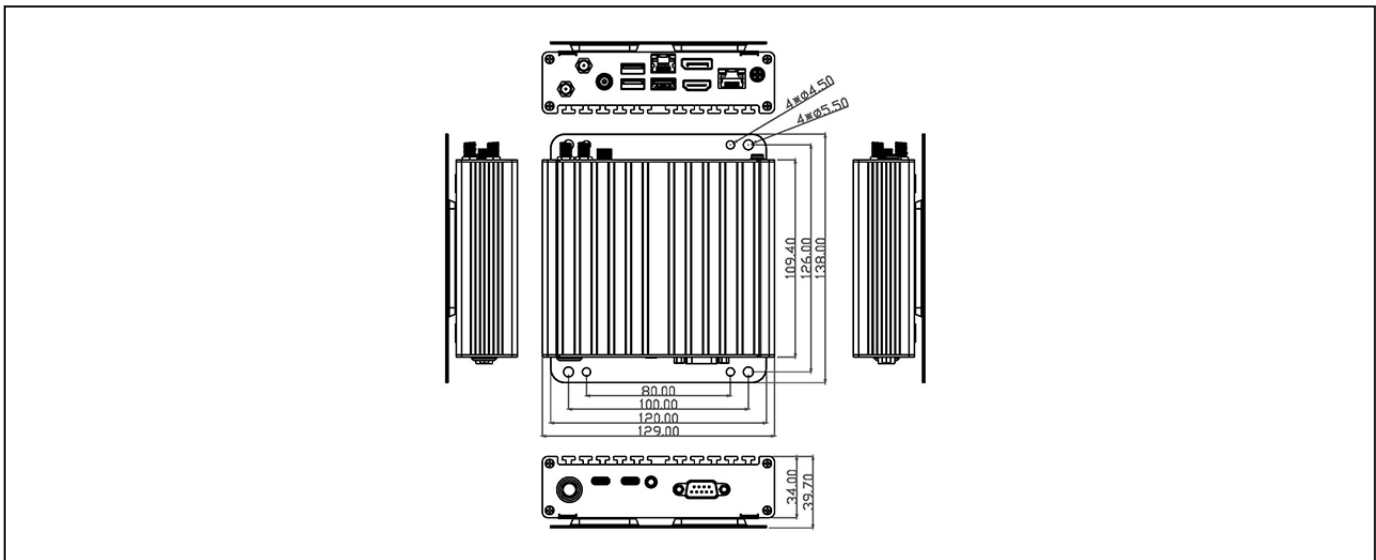
Specifications

SYSTEM	
MB FORM FACTOR	NUC
CPU	Onboard Intel® Processor N97 (Formerly Alder Lake-N, TDP 12W)
CHIPSET	Intel® SoC
MEMORY	1 x DDR5 4800MHz, Single Channel SO-DIMM, up to 32GB
BIOS	UEFI
WAKE ON LAN	Yes
WATCHDOG TIMER	255 Levels
SECURITY	TPM2.0 (dTPM, Optional) Intel® PTT (Integrated fTPM)
RTC BATTERY	Lithium Battery
OS SUPPORT	Windows® 11 (64bit) Windows® 10 (64bit) Linux
POWER	
POWER REQUIREMENT	DC-in 12-19V 60W Adapter: AC90-240V, DC12V/5.0A
POWER ON MODE	AT / ATX (Default) Mode
DISPLAY	
GPU	Intel® UHD Graphics
Type-C DP	2 x Type C DP1.4 (Max Resolution: 4096 x 2160@60Hz)
DP	1 x DP1.4 (Max Resolution: 4096 x 2160@60Hz)
HDMI®	1 x HDMI 2.0 (Max Resolution: 4096 x 2160@60Hz)
MULTIPLE DISPLAY	Support 3 Displays
AUDIO	
CODEC	Realtek Codec
LAN	
ETHERNET	2 x RJ45 for Intel® I226-V 2.5GbE
SYSTEM I/O	
REAR PANEL I/O	2 x RJ45 1 x HDMI 2.0 1 x DP 1.4 2 x USB 3.2 Gen 2 1 x DC-in (Lockable) 2 x WIFI Antenna Holes (Optional) 1 x GND Hold
FRONT PANEL I/O	1 x Power Button 2 x USB 3.2 Type C support DP ALT mode 1 x Combo Audio (Line out & Mic) 1 x RS-232/422/485
EXPANSION	
M.2	1 x M-Key 2260/2280 (PCIe 3.0 x2/SATA III) Support NVMe 1 x E-Key 2230 (USB 2.0/PCIe 3.0 x1) Support CNVio
MECHANICAL	
MOUNTING	Wall + VESA mount
DIMENSIONS (W x D x H)	129.0 (W) x 109.4 (D) x 34.0 (H) mm
NET WEIGHT	0.56 KG
ENVIRONMENT & CERTIFICATION	
OPERATING TEMPERATURE	-20°C ~ 60°C (-4°F ~ 140°F)
CERTIFICATION	CE/FCC Class A LVD
ESG DECLARATION	China RoHS CMRT Report TSCA Declaration WEEE REACH

Block Diagram



Dimension Unit: mm



Ordering Information

PART NUMBER	B420UADN1-A111	B420UADN1-A211
CPU	Intel® Processor N97	Intel® Processor N97
MEMORY	1 x DDR5 SO-DIMM, up to 32GB	1 x DDR5 SO-DIMM, up to 32GB
SECURITY	Intel® PTT (fTPM)	TPM2.0
POWER REQUIREMENT	DC-in 12-19V	DC-in 12-19V
GPU	Intel® UHD Graphics	Intel® UHD Graphics
TYPE C DP	2 x Type C DP	2 x Type C DP
DP	1 x DP	1 x DP
HDMI	1 x HDMI	1 x HDMI
MULTIPLE DISPLAY	Support 3 Displays	Support 3 Displays
ETHERNET	2 x 2.5GbE	2 x 2.5GbE
I/O	2 x RJ45	2 x RJ45
I/O	2 x USB 3.2 Gen 2	2 x USB 3.2 Gen 2
I/O	1 x DC-in (Lockable)	1 x DC-in (Lockable)
I/O	2 x WIFI ANT	2 x WIFI ANT
I/O	1 x GND Hold	1 x GND Hold
I/O	1 x Power Button	1 x Power Button
I/O	2 x USB 3.2 Gen 2 Type C support DP	2 x USB 3.2 Gen 2 Type C support DP
I/O	1 x Audio (Line-out, MIC)	1 x Audio (Line-out, MIC)
I/O	1 x RS-232/422/485	1 x RS-232/422/485
M.2	1 x M-Key 2260/2280	1 x M-Key 2260/2280
M.2	1 x E-Key 2230	1 x E-Key 2230
OPERATING TEMPERATURE	-20°C - 60°C (-4°F - 140°F)	-20°C - 60°C (-4°F - 140°F)