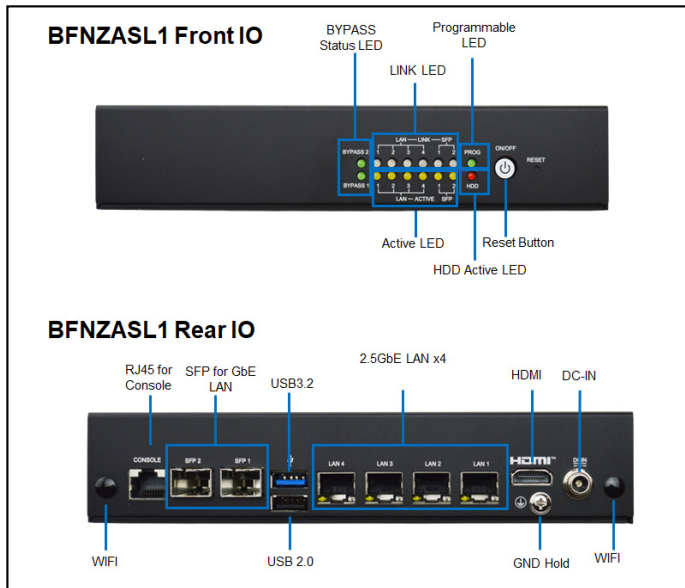


4 x 2.5GbE LAN Fanless Embedded System by Intel® Atom® x7835RE SoC Processor, DDR5 up to 32GB, DC 12V Support



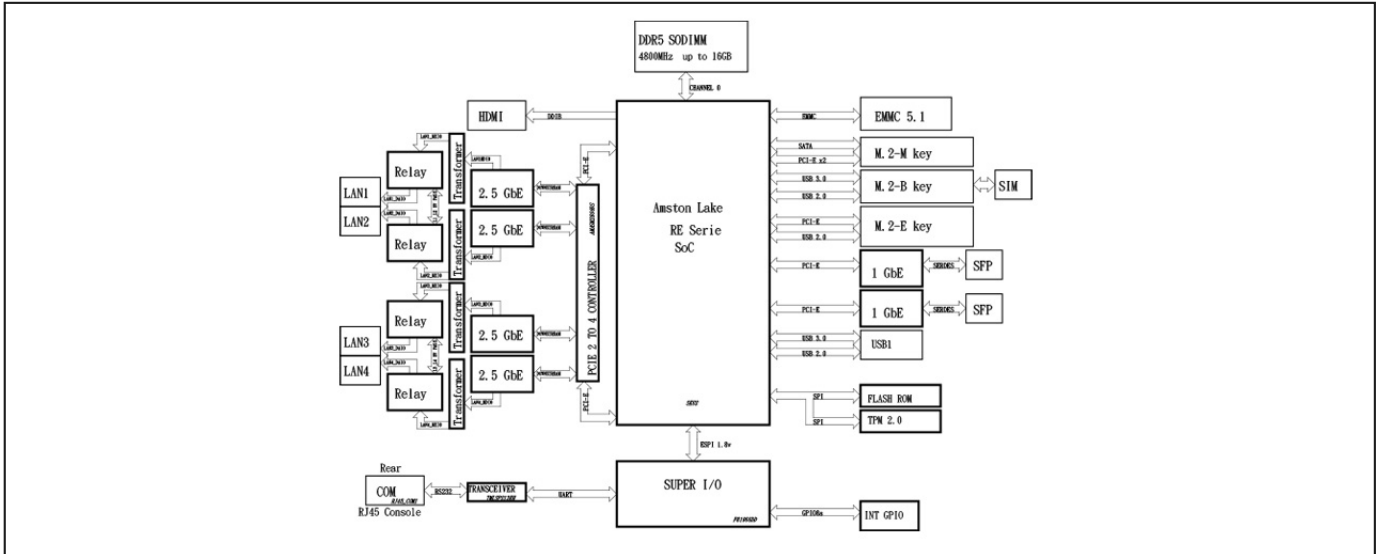
Features

- Space-saving form factor for easy installation
- Low power consumption to reduced operating costs
- Multiple LAN ports for flexible network setup
- Rich Status Indicator for easy maintenance
- Hardware-assisted encryption and VPN support for data protection
- Optional Wi-Fi 6 and 5G connectivity for diverse deployment scenarios

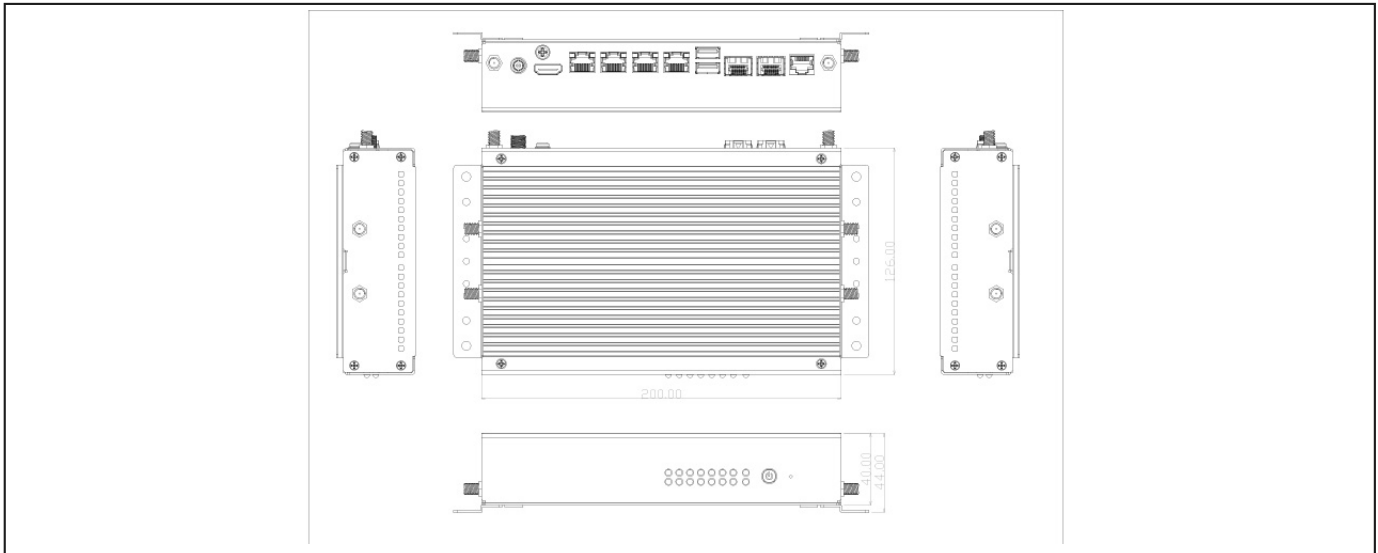
Specifications

SYSTEM	
MB FORM FACTOR	Others
CPU	Onboard Intel Atom® x7835RE Processor (Formerly Amston Lake, TDP 12W) Onboard Intel® Processor N97 (Formerly Alder Lake-N, TDP 12W) Onboard Intel Atom® x7425E Processor (Formerly Alder Lake-N, TDP 12W) For additional compatible CPUs, please contact regional sales
CHIPSET	Intel® SoC
MEMORY	1 x DDR5 4800MT/s, Single Channel SO-DIMM, up to 32GB
BIOS	AMI Flash ROM
WAKE ON LAN	Yes
WATCHDOG TIMER	255 Levels
SECURITY	Intel® PTT (Integrated fTPM) Default & TPM (dTPM)
RTC BATTERY	Lithium Battery
OS SUPPORT	Windows® 11 (64bit), Linux, pfSense, OpenWrt
POWER	
POWER REQUIREMENT	DC-in 12V 60W Adapter: AC100-240V, DC12V/5.0A
POWER ON MODE	AT / ATX (Default) Mode
DISPLAY	
GPU	Intel® UHD Graphics
HDMI®	1 x HDMI® 2.0 (Max Resolution: 3840 x 2160@60Hz)
LAN	
ETHERNET	4 x RJ45 for Intel® I226-V 2.5GbE 2 x GbE SFP
SYSTEM I/O	
REAR PANEL I/O	1 x HDMI® 1 x USB 2.0 1 x USB 3.2 Gen 2x1 (10Gbps, Formerly USB 3.1 Gen 2) 4 x RJ45 for 2.5GbE LAN 2 x SFP for GbE LAN 1 x RJ45 for Console 1 x Grounding Screw 2 x WiFi Antenna Holes
FRONT PANEL I/O	1 x Power Button 1 x Reset Button 1 x HDD LED 4 x LAN SPEED LED 4 x LAN ACTIVE LED 2 x SFP SPEED LED 2 x SFP ACTIVE LED 1 x Programmable LED 2 x Bypass LED
STORAGE	
eMMC	eMMC 64GB (By Request)
EXPANSION	
M.2	1 x E-Key 2230 (USB 2.0/PCIe x1) for WIFI/BT Module 1 x B-Key 3042/3052 (USB 3.2) for 4G/5G/LTE 1 x M-Key 2242/2280 (SATA III/PCIe 3.0 x1) Support NVMe
SIM	1 x Nano SIM Card Slot
OTHERS	
OTHER	4 x WiFi Antenna Holes 1 x WiFi LED Header 1 x 4G/5G/LTE LED Header
MECHANICAL	
MOUNTING	Desktop, Wallmount
DIMENSIONS (W x H x D)	200.0 (W) x 126.0 (D) x 40.0 (H) mm (6.0" x 5.67" x 1.57")
GROSS WEIGHT	1.2 kg (2.6lb)
NET WEIGHT	1.0 kg (2.2lb)
CONSTRUCTION	Aluminum Heatsink + Metal Chassis
ENVIRONMENT & CERTIFICATION	
SHOCK	15G, 11ms duration
VIBRATION	1 Grms/ 5- 500Hz/ Operation
OPERATING TEMPERATURE	-10°C - 50°C (14°F - 122°F) with 0.5 m/s airflow
STORAGE TEMPERATURE	-20°C - 60°C (-4°F - 140°F)
OPERATING HUMIDITY	10 - 90% Relative Humidity, Non-condensing
STORAGE HUMIDITY	0 - 95% Relative Humidity, Non-condensing
CERTIFICATION	CE/FCC Class A LVD

Block Diagram



Dimension Unit: mm



Ordering Information

PART NUMBER	BFNZASL1-A111	BFNZASL1-A211	BFNZASL1-A311
CPU	Intel® Atom® x7835RE Processor	Intel® Processor N97	Intel® Atom® x7425E Processor